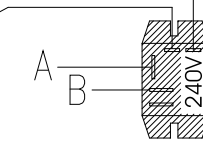
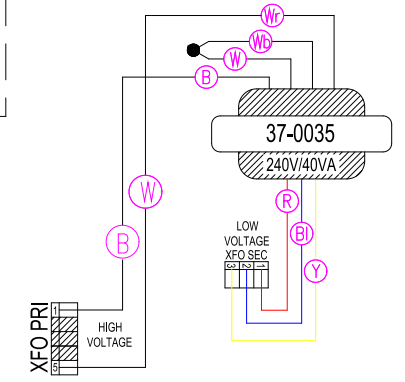
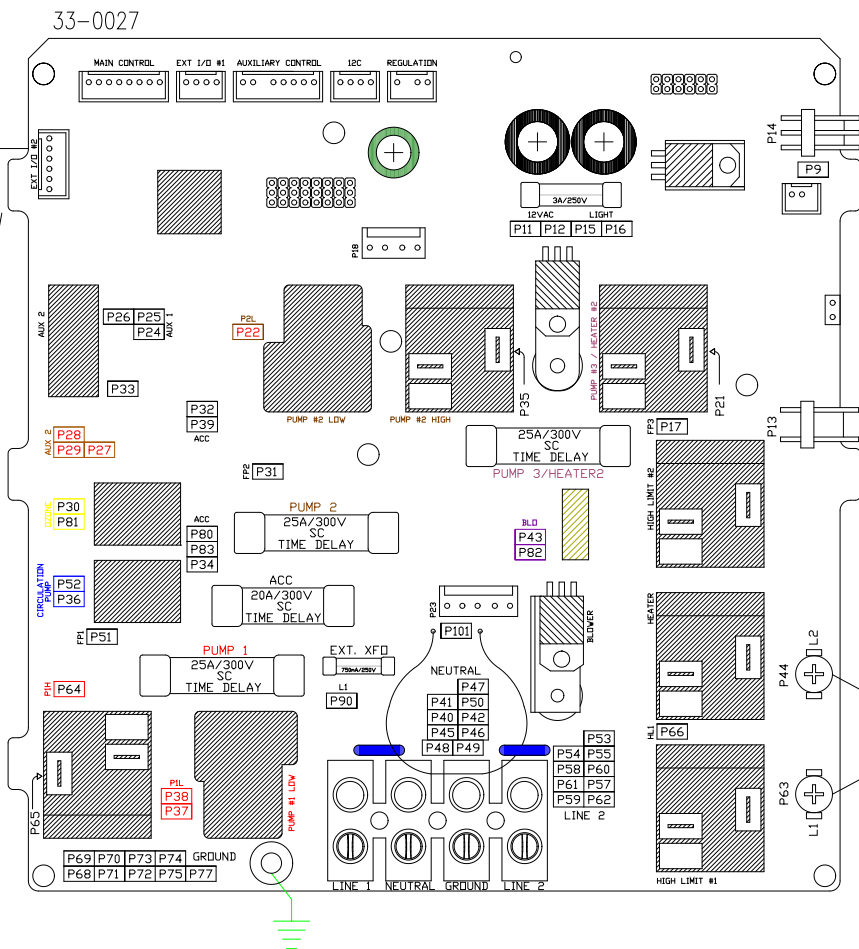
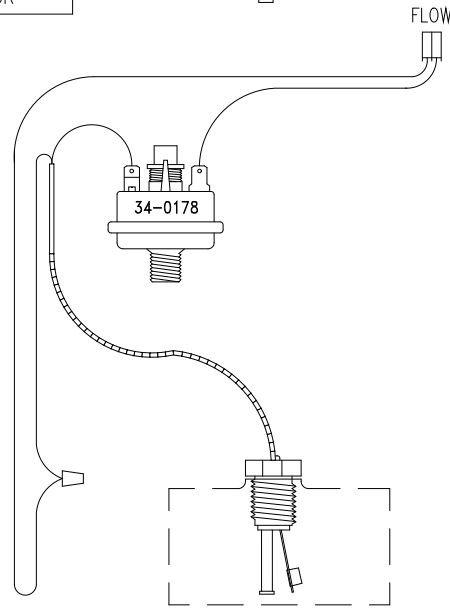
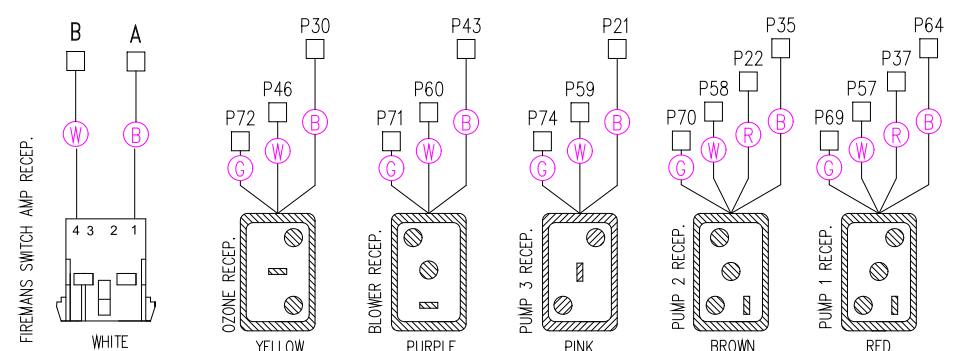
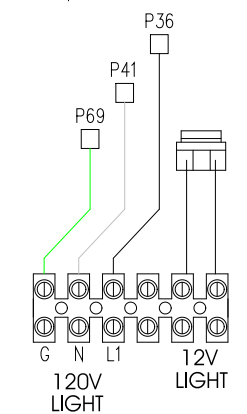


LEGEND	
□	- 1/4" QUICK CONNECT
▭	- 1/4" PIGGYBACK
⊞	- FORK CONNECTOR
○	- RING CONNECTOR
◻	- SOCKET CONNECTOR
△	- PIN CONNECTOR

13-0014A



See Firemans Switch Recep.



HYDROLIQUIP
CORONA, CA (909) 273-7575

Manufacture Notes:

Dwg. No.
G822A0-KLPQY-J

Drawn
BH
Date
07.20.05
Diagram
No. 5150

Rev
2

Wire Color Code

B - Black	G - Green
Br - Brown	Bl - Blue
R - Red	V - Violet
O - Orange	W - White
Y - Yellow	Gr - Gray